

# POLYGONS/AREA/PERIMETER REVIEW



NAME \_\_\_\_\_ PERIOD \_\_\_\_\_

1. Create three rectangles with an **area of 24 square units**.

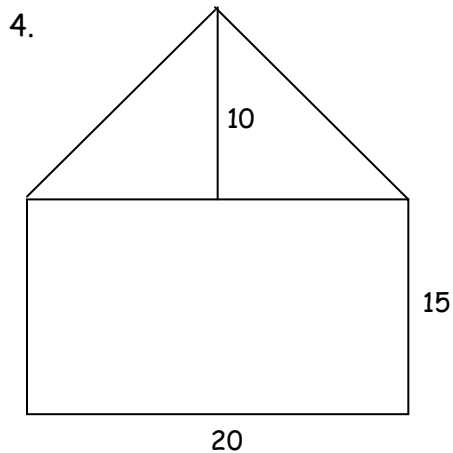
2. Create three rectangles with a **perimeter of 20 units**.

3. You have to tile a floor that is **18 feet by 25 feet**.

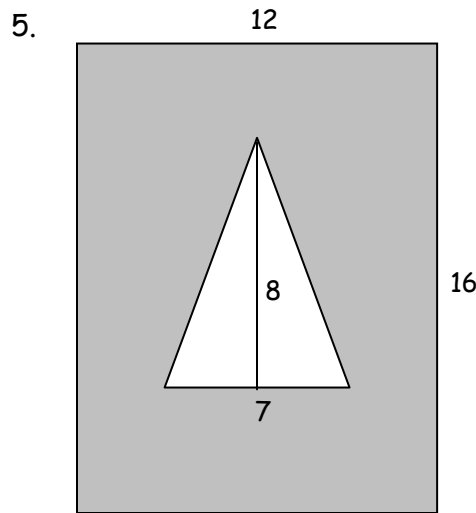
a) What is the area of the floor?

b) The tiles you must buy each cover one square foot. They come in boxes of 30. How many boxes will you need to buy?

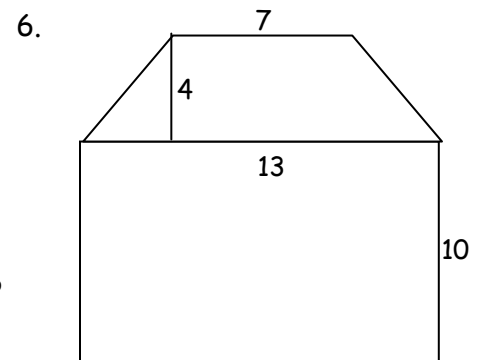
Find the area of the following shapes.



AREA = \_\_\_\_\_



SHADED AREA = \_\_\_\_\_



AREA = \_\_\_\_\_

7. The area of a **rectangle** is  $42 \text{ in}^2$  and the base is 14 in. Find the height.

8. The area of a **parallelogram** is  $60 \text{ ft}^2$  and the height is 12 ft. Find the base.

9. The area of a **trapezoid** is  $18 \text{ in}^2$  and the bases are 4 in and 8 in. Find the height.

10. The area of a **triangle** is  $42 \text{ m}^2$  and the base is 15 m. Find the height.

11. The area of a **rectangle** is  $48 \text{ in}^2$  and the height is 8 in. Find the base.

12. The area of a **triangle** is  $108 \text{ in}^2$  and the height is 9 in. Find the base.

13. The area of a **parallelogram** is  $168 \text{ in}^2$  and the height is 8 in. Find the base.

14. The area of a **trapezoid** is  $27 \text{ in}^2$  and the bases are 7 in and 12 in. Find the height.