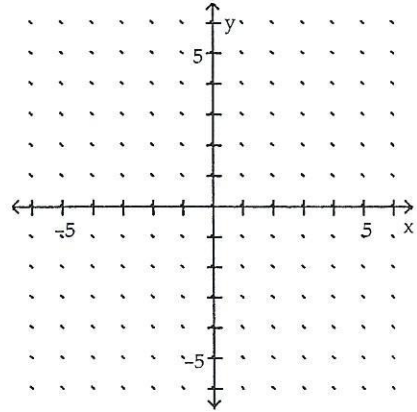


Show all appropriate work.

1) Graph the line with equation  $x + y = 4$ . List values for  $x$  and  $y$  in a table. 1)

x	y
1	
2	
3	



2) Graph the line with equation  $x - y = 3$ . List values for  $x$  and  $y$  in a table. 2)

x	y
3	
4	
5	

